

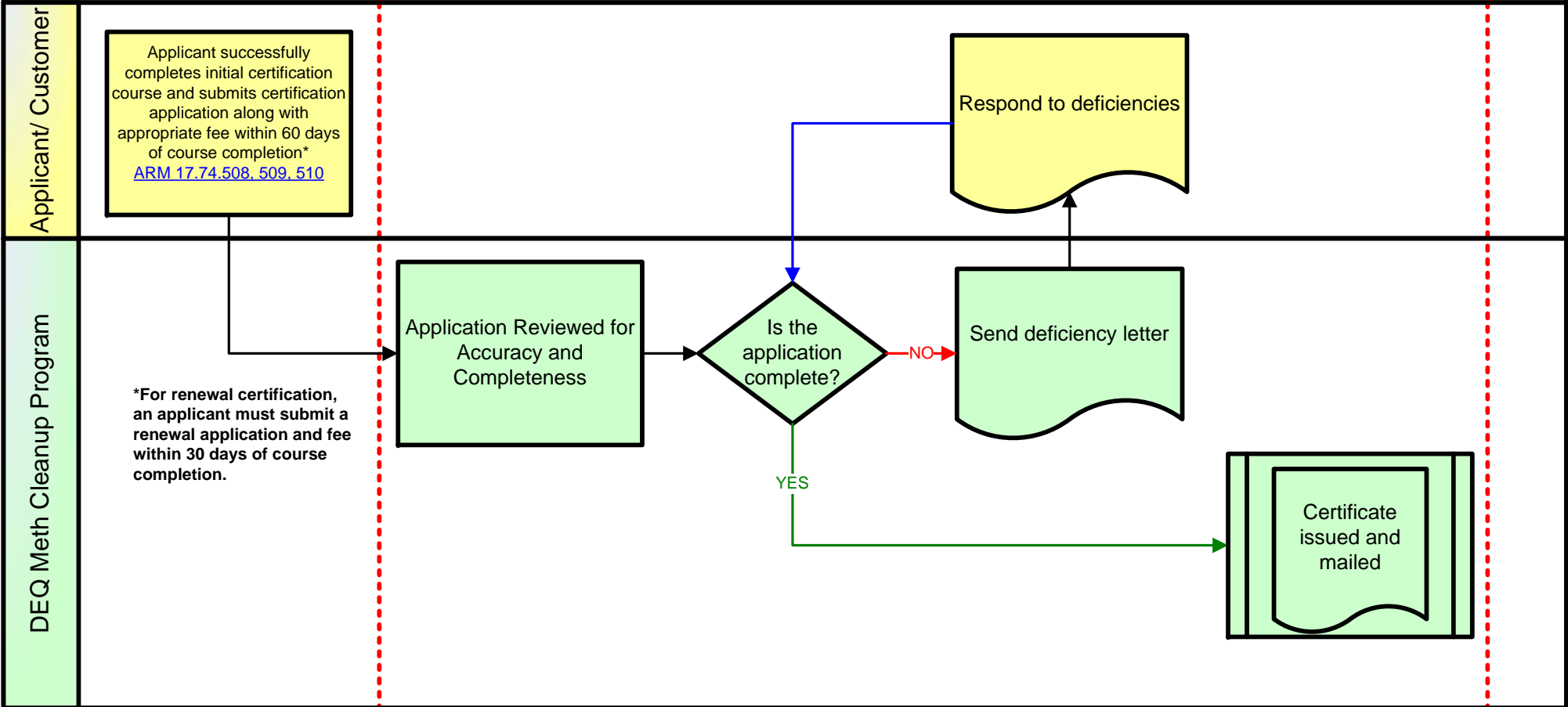
Methamphetamine Cleanup Program (MCP) Supervisor & Worker Application Timeline

[ARM 17.74.508, 509, 510](#)

NOTE: Timeframes may change due to delayed response from applicant or outside agency.

Day 1

DAY 5-10



*Supervisors and Workers are certified by a trainer to do methamphetamine cleanup.